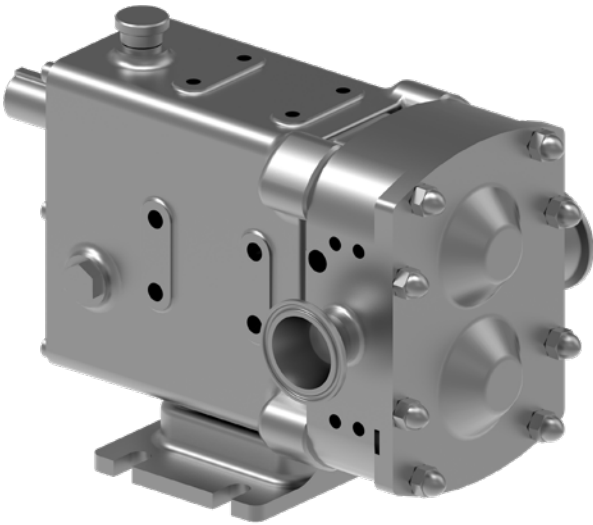




REVOLUTION® SERIES

CIRCUMFERENTIAL PISTON PRODUCT LINE



FEATURES & BENEFITS

CLEANABILITY

- Efficient CIP (Clean In Place) ability is standard for all Revolution pumps
- Self draining pump head from innovative cusps & cusp reliefs
- Innovative seal design with no dead zones & a dynamic leak path
- No dead zones on front cover

EASE OF MAINTENANCE

- Fast, front loading seal changes while pump is still in line
- Front access shimming for setting rotor clearance significantly reduces maintenance time
- Convenient preventive maintenance parts kits available

PERFORMANCE

- Improved volumetric efficiency in low & high viscosity applications
- Up to 15% better flow performance than competitors' CIP configuration
- Gentle handling of solids & shear sensitive products
- Long-life durability from heavy duty shafts, bearings & helical gears
- Less overhung load

PERFORMANCE

MODELS

Size	Model	Max Capacity		Displacement		Max Pressure		Max Speed	Standard Ports	
		GPM	m³/h	USG/rev.	l/rev.	PSI	BAR	RPM	In	mm
2	R0150X	11	2.6	0.014	0.055	305	21	800	1.5	38.1
2	R0180P	23	5.3	0.029	0.11	203	14	800	1.5	38.1
3	R0200X	34	8	0.04	0.16	305	21	800	1.5	38.1
3	R0300X	48	11	0.06	0.23	247	17	800	1.5	38.1
3	R0400X	62	14	0.08	0.29	203	14	800	2	50.8
4	R0450X	67	15	0.1	0.42	450	31	600	2	50.8
4	R0600P	92	21	0.2	0.58	305	21	600	2.5	63.5
4	R0800X	122	28	0.2	0.77	247	17	600	2.5	63.5
4	R1300X	159	36	0.3	1	203	14	600	3	76.2
5	R1800X	231	53	0.4	1.46	450	31	600	3	76.2
5	R2200X	313	71	0.5	1.98	305	21	600	4	101.6
5	R2600P	399	91	0.7	2.52	203	14	600	4	101.6



CAPACITY
to 399 GPM
(91 m³/h)



PRESSURE
to 450 PSI
(31 BAR)



VISCOSITY
to 910,000 SSU
(200,000 cSt)



TEMPERATURE
to +300°F
(+150°C)

PORTING

- Hygienic port options:
Tri-clamp, DIN 11864, DIN 11851 Male, SMS Male
- Industrial port options:
ASA/ANSI 150 lb. or 300 lb. RF, DIN 2633, BSP Male, NPT Male
- Pumps may be fitted with front cover and rotor case jackets when required

SEALING

- Single mechanical
- Double mechanical w/ flush
- Single O-ring running on a replaceable sleeve
- Double O-ring w/ flush running on a replaceable sleeve
- Complete range of material options

ROTORS

- Non-galling WFT 808® nickel alloy standard
- 316L optional
- Optional clearances:
front face, hot, high temperature/high viscosity (chocolate)

GEAR BOX

- Stainless Steel standard
- Oil lubrication standard, grease optional

SURFACE FINISH

- Standard 32 RA internal finish
- Optional mechanical internal finishes: 24 RA or 16 RA

COMPLETE PUMP DRIVE UNITS

- We make it simple to select your pump, drive and base configuration for ordering a complete unit
- Close coupled and long coupled designs available
- Tubular, flat plate and formed metal base designs available

TYPICAL APPLICATIONS

- Pharmaceutical
- Beverage
- Chemical
- Personal Care
- Dairy
- Foods
- Confectionary

BENEFITS OF MAINTENANCE KITS

- Everything you need in one place
- Reduce frequency of repairs
- Increase service life
- Increase uptime
- Save time & money
- Kits include exploded diagram & parts list



VIKING PUMP®

VIKING PUMP, INC.
A Unit of IDEX Corporation
406 State Street
Cedar Falls, Iowa 50613 U.S.A.
vikingpump.com

CONTACT YOUR STOCKING DISTRIBUTOR TODAY

Authorized Distributor Viking Pump

PT ZI-TECHASIA
Address: Menara Jamsostek,
Menara Utara lantai 22, Jakarta Selatan
DKI Jakarta

Mobile/WA : (+62) 813-1891-9776
Office : (+62) 21 5296-2135
Email : ask@dosingpump.co.id

website : www.dosingpump.co.id

© Copyright 2024 Viking Pump, Inc. All Rights Reserved. Rev1124 | Form No. 1726

The IDEX logo, consisting of the word 'IDEX' in a bold, italicized, sans-serif font.