

GB-425 SERIES™

REBUILDABLE PIPELINE INJECTION PUMPS

FEATURES & BENEFITS

REBUILDABLE DESIGN & INCREASED DURABILITY

- New advanced materials on critical internal wear surfaces
- Enhanced wear resistance and durability extend pump life
- All internal wear components are replaceable
- Simple disassembly and reassembly process saves time and money
- Complete rebuild kit brings the pump back to as-new operating condition

REDUCED MAINTENANCE

- Back pull-out Type 2 bellows seal design and spacer coupling eliminate the need to disturb piping or pump and motor placement during seal changes
- Robust axial thrust control bearing reduces premature seal failure due to elevated inlet pressure, starts, stops, and other unique application conditions
- Rigid structural steel base with milled mounting pads and jacking bolts for ease of field alignment
- No pulsation dampeners, gear reducers, belt drives, or additional equipment to service and maintain

MODULAR PORT DESIGN

- 6", 180° 3000 Series square flange ports standard
- Weldneck port adapter design allows for multiple interchangeable flange options
- Common Port Location (CPL) feature allows for installation of lower flow rate pumps when well production decreases without welding or piping modifications

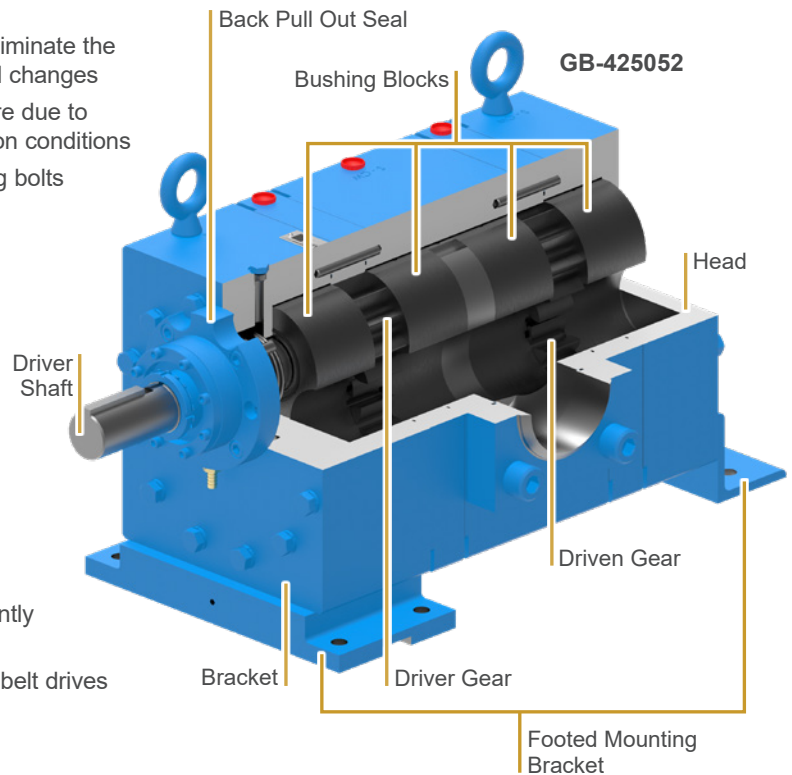
COMPACT FOOTPRINT

- 11' unit length on largest pump and motor assembly for significantly smaller foot print than the competition
- Motor speed operation eliminates the need for gear reducers or belt drives
- Units include small, rigid formed steel baseplate complete with spacer coupling and coupling guard

PERFORMANCE

Pump Model	Port Size	Nominal Flow @ 750 PSI (1190 RPM) on 4 cP			Nominal Flow @ 1500 PSI (1190 RPM) on 4 cP			Max Continuous Pressure	Max Recommended Temperature	Approx. Shipping Weight (Pump Only)
		GPM	BPH	BPD	GPM	BPH	BPD	PSI	Deg. F	Lbs.
Ductile Iron Externals	Inch									
GB-425021	6"	170	245	5,890	150	212	5,100	1500	350	1,375
GB-425052	6"	345	490	11,770	298	425	10,200	1500	350	1,786
GB-425073	6"	515	735	17,655	446	638	15,300	1500	350	2,473
GB-425051	6"	340	488	11,720	-	-	-	750	350	1,500
GB-425102	6"	685	975	23,440	-	-	-	750	350	2,037

FLOW RATES FROM
6,000 BPD
TO OVER
23,440 BPD

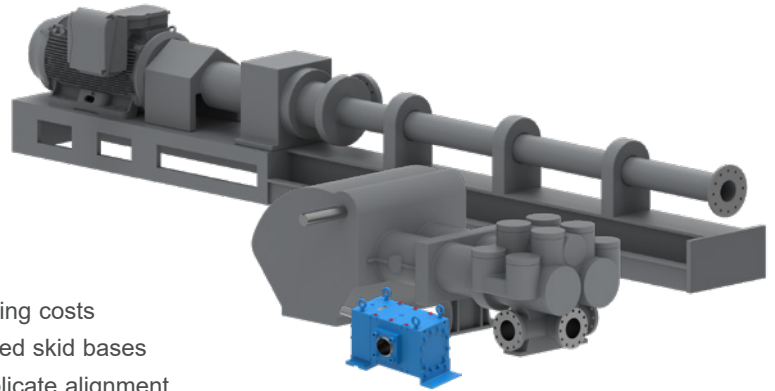


For more information, visit vikingpump.com/pipeline-injection

VIKING GEAR PUMPS VS. THE COMPETITION:

LOWER TOTAL COST OF OWNERSHIP & REDUCED MAINTENANCE

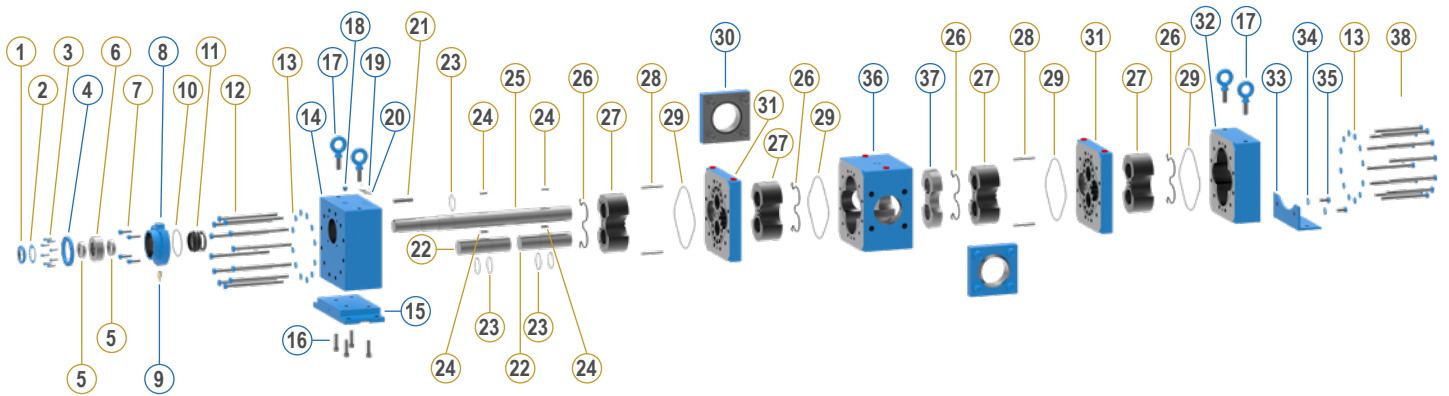
- Smooth flow eliminates the need for pulsation dampeners and/or complex control valves
- Motor-speed operation eliminates the need for belt drives
- No check valves or seats to replace
- No lube oil or oil changes required
- No belt drives to service and maintain
- No pulsation dampeners to maintain



SIGNIFICANT SPACE AND WEIGHT SAVINGS

- Compact design results in a smaller skid and reduced shipping costs
- Up to 15' shorter units, allowing smaller buildings or fabricated skid bases
- No additional cradle supports on longer pumps, which complicate alignment

EXPLODED VIEW PARTS IDENTIFICATION



Item	Name of Part	Seal Kit	Complete Rebuild Kit	Item	Name of Part	Seal Kit	Complete Rebuild Kit	Item	Name of Part	Seal Kit	Complete Rebuild Kit
1	Lock Nut	✓	✓	14	Bracket			27	Bushing Block & Bushing Assembly		✓
2	Lock Washer	✓	✓	15	Bracket Foot			28	Alignment Pins		✓
3	Bearing End Cap Capscrews	✓	✓	16	Bracket Foot Capscrews			29	O-Ring Between Sections		✓
4	Bearing End Cap			17	Eyebolt			30	Flange Assembly		
5	Bearing Spacers	✓	✓	18	Plug			31	Casing & Gears Assembly		✓
6	Bearing	✓	✓	19	Drive Screws			32	Head		
7	Seal Holder Capscrews	✓	✓	20	Nameplate			33	Head Foot		
8	Seal Holder Assembly			21	Key		✓	34	Head Washers		
9	1/2" Hose Barb Fitting			22	Driven Shafts		✓	35	Head Foot Capscrews		
10	O-Ring For Seal Holder	✓	✓	23	External Retaining Rings	✓	✓	36	Separation Plate		
11	Mechanical Seal	✓	✓	24	Gear Pins		✓	37	Spacer		
12	Bracket Assembly Capscrews		✓	25	Driver Shaft		✓	38	Head Assembly Capscrews		✓
13	Assembly Lockwashers		✓	26	Bushing Block Gasket		✓				



VIKING PUMP, INC.
 A Unit of IDEX Corporation
 406 State Street
 Cedar Falls, Iowa 50613 U.S.A.
vikingpump.com



CONTACT YOUR VIKING PUMP SPECIALISTS:

Authorized Distributor Viking Pump

PT ZI-TECHASIA
 Address: Menara Jamsostek,
 Menara Utara lantai 22, Jakarta Selatan
 DKI Jakarta

Mobile/WA : (+62) 813-1891-9776
 Office : (+62) 21 5296-2135
 Email : ask@dosingpump.co.id

website : www.dosingpump.co.id

