



8124A SERIES™, 8123A SERIES™, 8127A SERIES™

CAST IRON, STEEL EXTERNALS & STAINLESS STEEL | UNIVERSAL PRODUCT LINE



FEATURES & BENEFITS

- Sealless mag drive eliminates the shaft seal to provide the highest level of liquid and vapor containment
- All liquid and vapor is hermetically sealed in the pump
- Used especially for hazardous and difficult-to-seal liquids

The inner magnet is the driven magnet, aligned by magnetic force passing through the canister; the inner magnet assembly is shielded in a laser welded 316SS housing to prevent exposure of the magnets to the liquid

The outer magnet is the drive magnet, driven directly by the motor

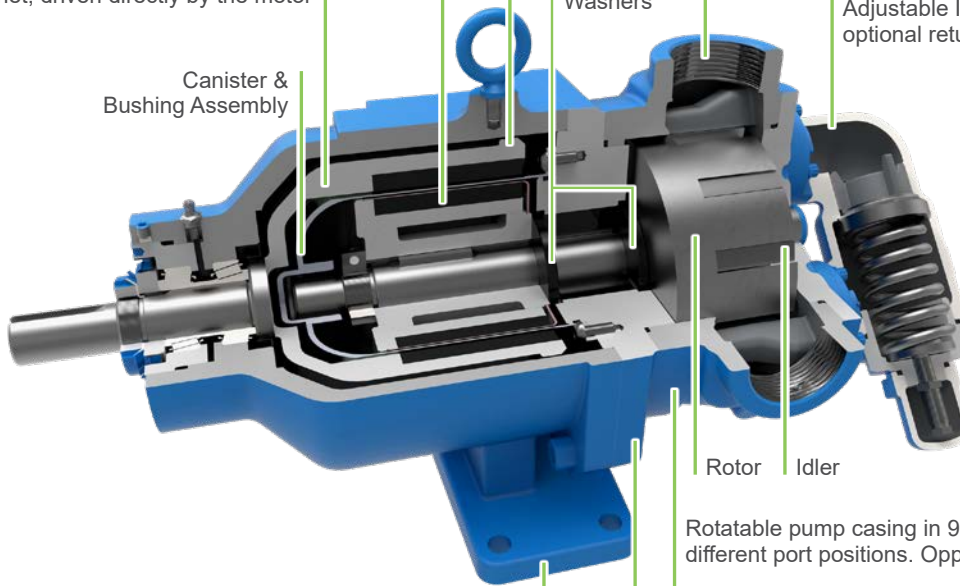
Canister & Bushing Assembly

Stepped housing keeps the outer magnet from contacting the canister in the unlikely event of bearing failure

Multiple port sizes, types and ratings are available including threaded and flanged

Thrust Washers

Adjustable Internal relief valve standard, optional return-to-tank and jacketed available



Rotor Idler

Rotatable pump casing in 90° increments, permitting four different port positions. Opposite ports casings also available

One-piece cast bracket provides rigid foundation that is dimensionally interchangeable with Universal Product Line pumps

Adaptor Plate



CAPACITY
to 500 GPM
(114 m³/h)



PRESSURE
to 200 PSI
(14 BAR)



VISCOSITY
28 to 250,000 SSU
(0.1 to 55,000 cSt)



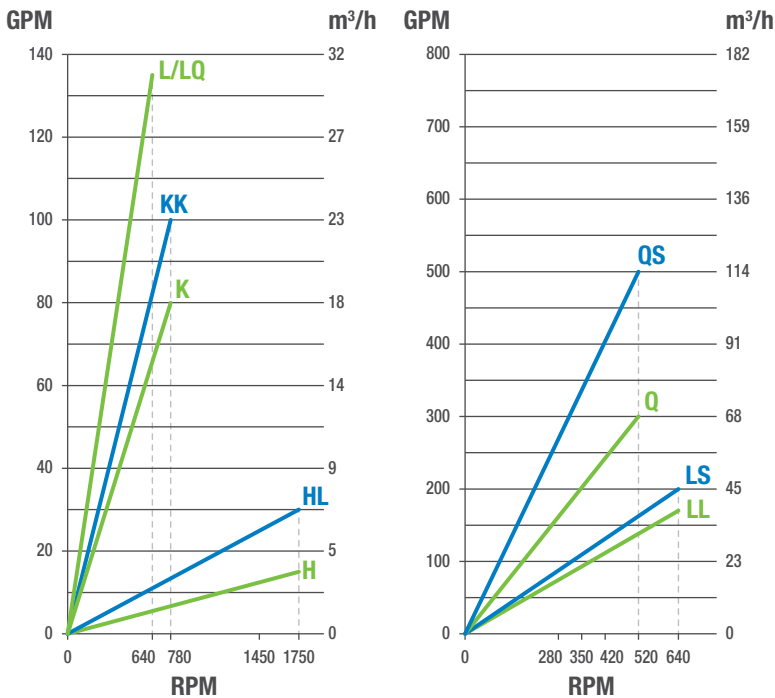
TEMPERATURE
-120°F to +500°F
(-85°C to +260°C)

PERFORMANCE

MODELS			SPECIFICATIONS				
Sealless Mag Drive			Performance			Standard Ports	
Cast Iron	Steel Externals	Stainless Steel	Max Speed, RPM	GPM	m ³ /h	Size, Inches	Type
H8124A	H8123A	H8127A	1750	15	3.5	1.5	NPT*
HL8124A	HL8123A	HL8127A	1750	30	7	1.5	NPT*
K8124A	K8123A	K8127A	780	80	18	2	NPT*
KK8124A	KK8123A	KK8127A	780	100	23	2	NPT*
L8124A	—	—	640	135	31	2	NPT
LQ8124A	LQ8123A	LQ8127A	640	135	31	2.5	Flange
LL8124A	LL8123A	LL8127A	640	170	39	3	Flange
LS8124A	LS8123A	LS8127A	640	200	45	3	Flange
Q8124A	Q8123A	Q8127A	520	300	68	4	Flange
QS8124A	QS8123A	QS8127A	520	500	114	6	Flange

*8123A Series™ and 8127A Series™ models standard with flanged ports

CURVES



PORTING

- Right Angle (90°) (Rotatable Casing), H-Q
- Opposite (180°) (Rotatable Casing), QS
- NPT / BSP
- Flanged (ANSI Compatible)

SEALING

- Sealless Mag Drive

MOUNTING

- Foot Mount

DRIVES

- Offset Gear Reducer Drive
- Purchased Gear Reducer Drive
- Direct-Mounted Drive

TYPICAL APPLICATIONS

- Petrochemicals
- Isocyanates
- Polyols
- Monomers
- Resins
- Adhesives
- Sodium Hydroxide
- Paints & Coatings
- Solvents
- Petroleum & Additives
- Biofuels
- Oil Seeds

VIKING PUMP®

VIKING PUMP, INC.
A Unit of IDEX Corporation
406 State Street
Cedar Falls, Iowa 50613 U.S.A.
vikingpump.com

CONTACT YOUR STOCKING DISTRIBUTOR TODAY

Authorized Distributor Viking Pump

PT ZI-TECHASIA
Address: Menara Jamsostek,
Menara Utara lantai 22, Jakarta Selatan
DKI Jakarta

Mobile/WA : (+62) 813-1891-9776
Office : (+62) 21 5296-2135
Email : ask@dosingpump.co.id

website : www.dosingpump.co.id