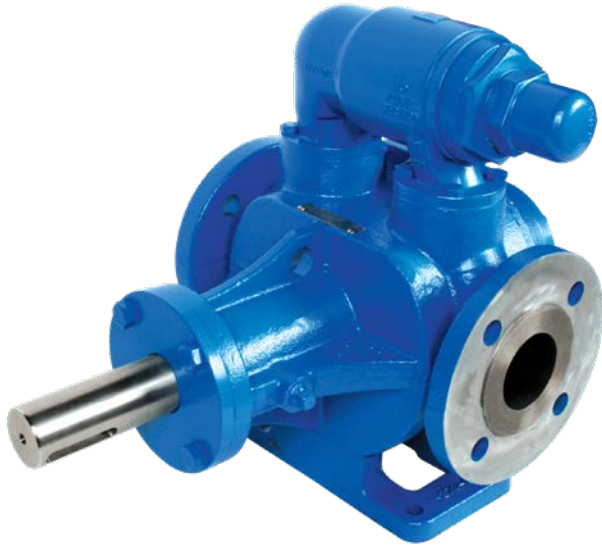




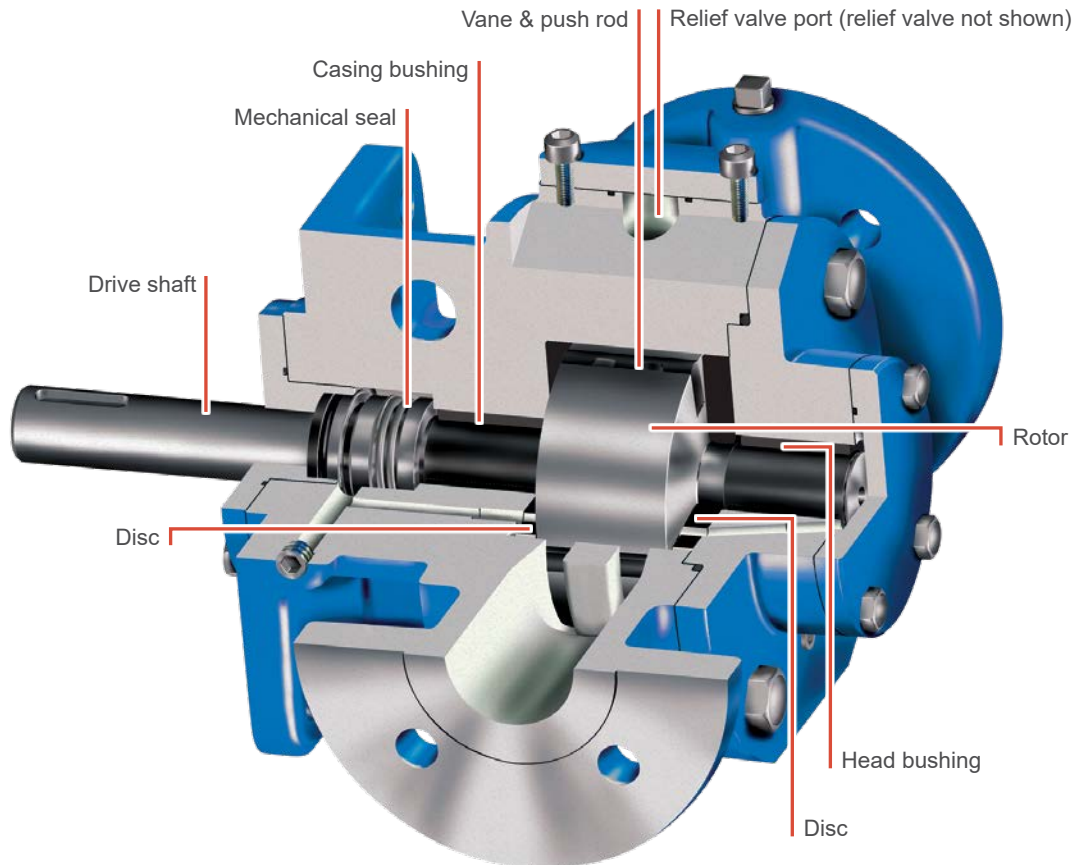
IVP SERIES™

STAINLESS STEEL CONSTRUCTION | ROTARY VANE PUMP



FEATURES & BENEFITS

- Vane pump design offers ANSI or DIN flanges, and IEC or NEMA motor mounts to conform to international standards for enhanced application flexibility
- High pressure and high efficiency with thin liquids
- 20 minute inline vane replacement reduces scheduled downtime
- Harder components than other vane pumps extend pump life
 - 62 Rockwell C surface-hardened one-piece, 316 stainless steel casing
 - Silicon carbide sleeve bearings
 - Chrome oxide shaft coating



CAPACITY
to 160 GPM
(36 m³/h)



PRESSURE
to 200 PSI
(14 BAR)



VISCOSITY
28 to 2,300 SSU
(1 to 500 cSt)



TEMPERATURE
-60°F to +350°F
(-50°C to +175°C)

PERFORMANCE

MODELS	SPECIFICATIONS				
	Performance			Standard Ports	
	Mechanical Seal	Max Speed, RPM	GPM	m ³ /h	Size, Inches
LVP40017	1750	20	4.5	1.5	Flange
LVP41017	1750	20	4.5	1.5	Flange
LVP40027	1750	40	9	1.5	Flange
LVP41027	1750	40	9	1.5	Flange
LVP41057	1150	80	18	2	Flange
LVP41087	950	100	23	2	Flange
LVP41197	520	125	28	3	Flange
LVP41237	520	160	36	3	Flange

Integral pressure relief valve is standard.

BENEFITS COMPARISON

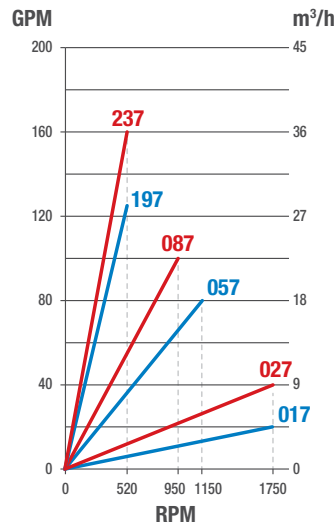
COMPARED TO CENTRIFUGAL PUMPS:

- Higher efficiency for low life-cycle cost
- Higher pressure: 14 Bar (200 PSI)
- Self-priming
- Low-shear flow
- Capacity proportional to speed
- Reversible direction of flow
- Easier-to-pipe, straight-through porting

COMPARED TO OTHER VANE PUMPS:

- Higher pressure: 14 Bar (200 PSI)
- Harder casing: Hardened to 62 Rockwell C to extend pump life
- Harder bushings: Silicon Carbide sleeve bearings, standard
- Harder shaft: Chrome oxide shaft coatings, standard
- PEEK vanes and push rods: Provides lower dynamic coefficient of friction

CURVES



PORTING

- Opposite (180°)
- Flanged (ANSI or DIN)

SEALING

- Component Mechanical Seal
- Cartridge Mechanical Seal
- Cartridge Triple Lip Seal

MOUNTING

- Foot Mount
- Motor Mount (LVP40017 & LVP 40027 only)

DRIVES

- (R)** Offset Gear Reducer Drive
- (P)** Purchased Gear Reducer Drive
- (D)** Direct-Mounted Drive
- (M)** Motor Mounted Drive (LVP40017 & LVP 40027 only)

TYPICAL APPLICATIONS

- Acids & Alkalis
- Alcohols & Solvents
- Aqueous Solutions
- Monomers
- Hexane, Pentane
- Refined Fuels
- Reactor vessel ingredient metering
- Vacuum vessel service
- Suction lift applications
- Long suction or discharge line applications

VIKING PUMP®

VIKING PUMP, INC.
A Unit of IDEX Corporation
406 State Street
Cedar Falls, Iowa 50613 U.S.A.
vikingpump.com

CONTACT YOUR STOCKING DISTRIBUTOR TODAY

Authorized Distributor Viking Pump

PT ZI-TECHASIA
Address: Menara Jamsostek,
Menara Utara lantai 22, Jakarta Selatan
DKI Jakarta

Mobile/WA : (+62) 813-1891-9776
Office : (+62) 21 5296-2135
Email : ask@dosingpump.co.id

website : www.dosingpump.co.id

IDEX