

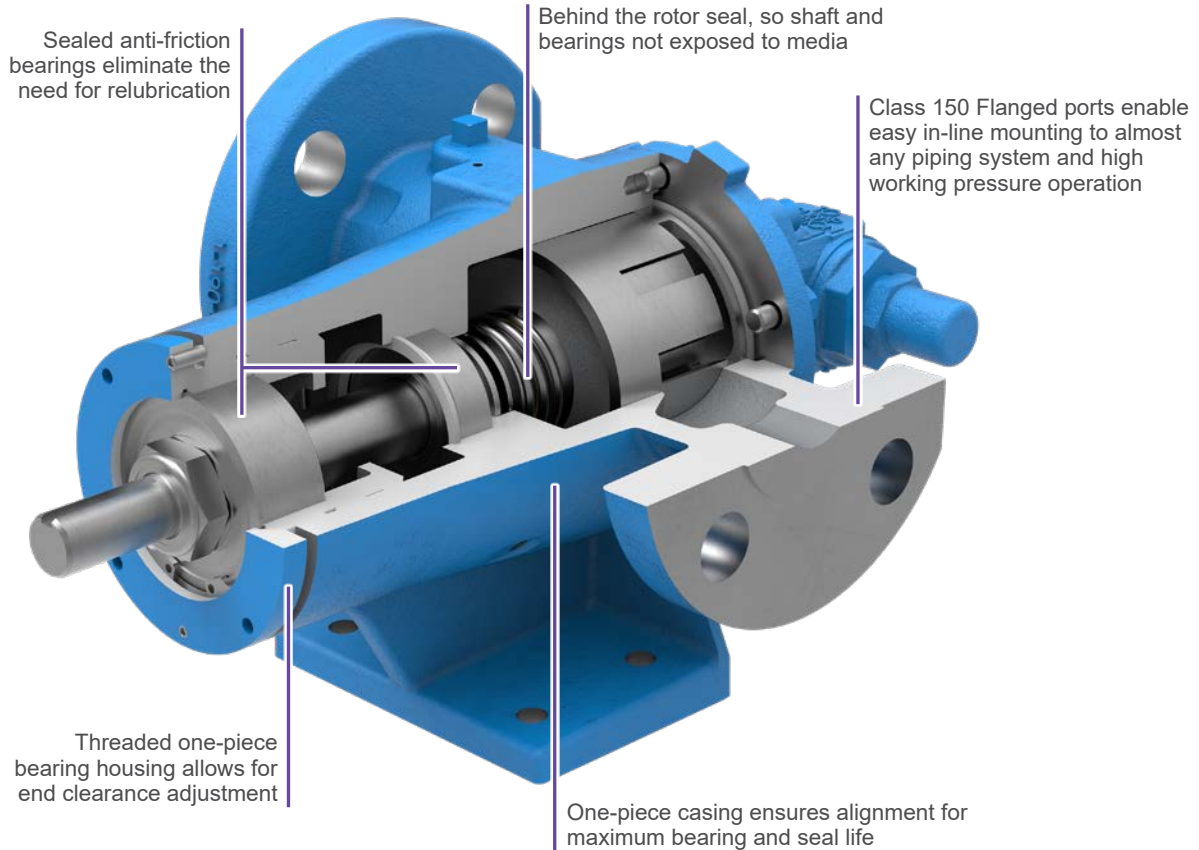
## 4197 SERIES™

STAINLESS STEEL CONSTRUCTION | MOTOR SPEED PRODUCT LINE



### FEATURES & BENEFITS

- For corrosion resistance over a wider pH range
- Non-galling gear materials standard for handling thin liquid applications
- Compact gear pump series to fit tight space constraints



**CAPACITY**  
to 75 GPM  
(17 m<sup>3</sup>/h)



**PRESSURE**  
to 200 PSI  
(14 BAR)



**VISCOSITY**  
28 to 25,000 SSU  
(1 to 5,500 cSt)

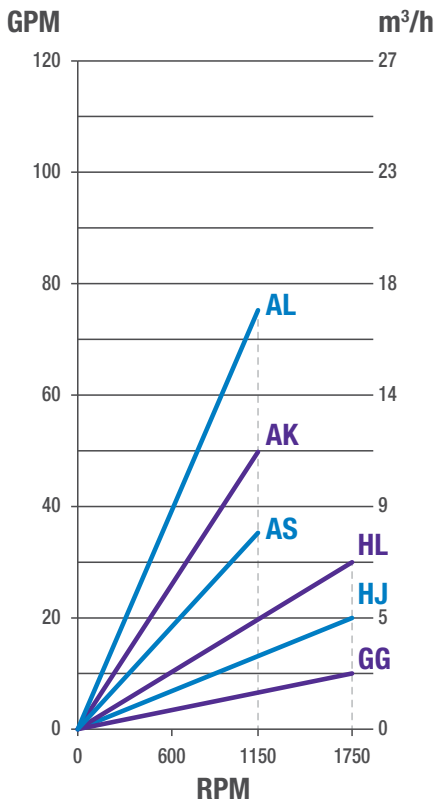


**TEMPERATURE**  
0°F to +350°F  
(-20°C to +175°C)

## PERFORMANCE

MODELS	SPECIFICATIONS				
	Foot Mount	Performance			Standard Ports
Mechanical Seal	Max Speed, RPM	GPM	m <sup>3</sup> /h	Size, Inches	Type
GG4197	1750	10	2.3	1	Flange
HJ4197	1750	20	4.5	1.5	Flange
HL4197	1750	30	6.8	1.5	Flange
AS4197	1150	35	8	3	Flange
AK4197	1150	50	11	3	Flange
AL4197	1150	75	17	3	Flange

## CURVES



## PORTING

- Opposite (180°)
- Flanged (ANSI)

## SEALING

- Behind the Rotor Seal
- Balanced Seal

## MOUNTING

- Foot Mount

## DRIVES

- Direct-Mounted Drive



## TYPICAL APPLICATIONS

- Compressor Lubrication
- Fuels
- Lube Oils

# VIKING PUMP®

**VIKING PUMP, INC.**  
 A Unit of IDEX Corporation  
 406 State Street  
 Cedar Falls, Iowa 50613 U.S.A.  
[vikingpump.com](http://vikingpump.com)

## CONTACT YOUR STOCKING DISTRIBUTOR TODAY

Authorized Distributor Viking Pump

PT ZI-TECHASIA  
 Address: Menara Jamsostek,  
 Menara Utara lantai 22, Jakarta Selatan  
 DKI Jakarta

Mobile/WA : (+62) 813-1891-9776  
 Office : (+62) 21 5296-2135  
 Email : ask@dosingpump.co.id

website : [www.dosingpump.co.id](http://www.dosingpump.co.id)