

MOTOR SPEED PRODUCT LINE: DUCTILE IRON SEALLESS MAG DRIVE EXTERNAL GEAR PUMPS

SG-805 Series™, SG-807 Series™

| | |
|---------|--------|
| Section | 1453 |
| Page | 1453.1 |
| Issue | L |

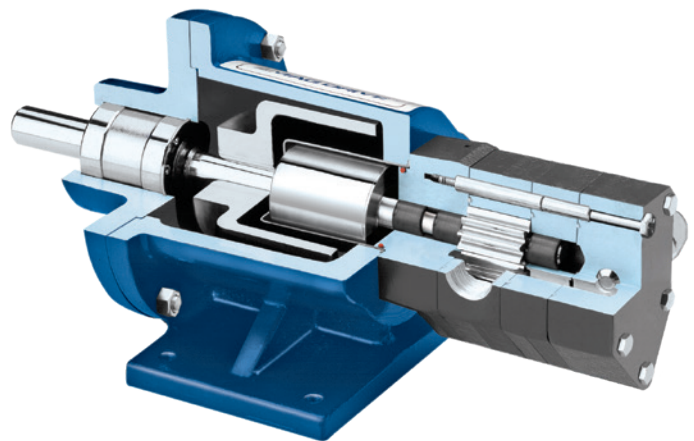
TABLE OF CONTENTS

| | |
|---|----|
| Related Products | 1 |
| Operating Range..... | 1 |
| Series Description..... | 1 |
| Features & Benefits | 2 |
| Model Number Key | 2 |
| Standard Materials of Construction | 2 |
| Typical Applications..... | 2 |
| Specifications | 3 |
| Mounting Options..... | 4 |
| Dimensions – SG-805 Series™ – MD-A (B Drive – Footed Bracket) ... | 5 |
| Dimensions – SG-807 Series™ – MD-A (B Drive – Footed Bracket) ... | 6 |
| Dimensions – SG-807 Series™ – MD-B (B Drive – Footed Bracket) ... | 7 |
| Dimensions – SG-805 Series™ – MD-A NEMA C (M Drive – Footless Bracket)..... | 8 |
| Dimensions – SG-807 Series™ – MD-A NEMA C (M Drive – Footless Bracket)..... | 9 |
| Dimensions – SG-807 Series™ – MD-A NEMA C (M Drive – Footed Bracket) | 10 |
| Dimensions – SG-807 Series™ – MD-B NEMA C (M Drive – Footed Bracket) | 11 |
| NPSH Required | 12 |
| Selecting the Correct Viking Mag Drive® Coupling..... | 12 |
| Example | 12 |

SERIES DESCRIPTION

Where shaft seal leakage is not allowable, for liquids that are hard to seal, or where seal maintenance is difficult, Viking Mag Drive® sealless external gear pumps are the solution. In this type of pump, a canister hermetically seals the liquid within the pump. Inner magnets are connected to the pump drive shaft inside the canister, and an outer magnet assembly rotates outside of the canister, driven by a motor or other drive, so that magnetic forces pass through the canister to the inner magnets and cause the drive shaft to rotate. This eliminates traditional dynamic shaft seals, and problems associated with them (wear, leakage, air infiltration).

A hollow drive shaft allows some liquid to flow by means of pressure differential from the high pressure side of the pump through the shaft, into the canister and back to the low pressure side of the pump. This provides magnet cooling and prevents product stagnation.



RELATED PRODUCTS

Ductile Iron Pumps: Catalog Section 1451

OPERATING RANGE

| SERIES | NOMINAL FLOW | | MAXIMUM PRESSURE* | | TEMPERATURE RANGE | | VISCOSITY RANGE | |
|----------------|--------------|-------------------|-------------------|-----|-------------------|-------------|-----------------|-------------|
| | GPM | m ³ /h | PSI | Bar | °F | °C | SSU | cSt |
| SG-805 Series™ | 0.7 - 11.2 | .16 - 2.54 | 500 | 34 | -40 to +450 | -40 to +230 | 28 to 250,000 | 1 to 55,000 |
| SG-807 Series™ | 4 - 32 | .91 - 7.27 | 500 | 34 | -40 to +450 | -40 to +230 | 28 to 250,000 | 1 to 55,000 |

* to 500 PSI (34 Bar) Continuous, to 2,500 PSI (170 Bar) Intermittent Pressure

| | |
|---------|--------|
| Section | 1453 |
| Page | 1453.2 |
| Issue | L |

MOTOR SPEED PRODUCT LINE:

DUCTILE IRON SEALLESS MAG DRIVE EXTERNAL GEAR PUMPS

SG-805 Series™, SG-807 Series™

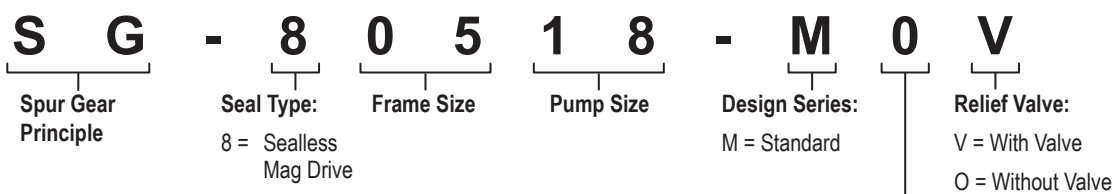
FEATURES & BENEFITS

- Needle bearings provide high pressure capabilities, sleeve bearing options available
- Close-coupled motor mount or foot bracket options to match space or motor requirements

TYPICAL APPLICATIONS

- Fuels and Additives
- Polyurethane Meter / Mix
- Adhesive & Sealant Dispensing
- Pipeline Sampling
- Chemical Metering
- Heat Transfer Oils

MODEL NUMBER KEY



NOTE: Direction of rotation: clockwise is standard, counter-clockwise is optional. Bi-rotational is not available as Mag Drive.

NOTE: Mag Drive pumps are connected to a magnetic coupling, which is specified separately. Coupling options are MD-A and MD-B. Specify NEMA or IEC face mount for close-coupled or bearing carrier for long-coupled.

Shaft Rotation:
(Viewed from Shaft End)
0 = Clockwise (standard)
1 = Counter-Clockwise (optional)

STANDARD MATERIALS OF CONSTRUCTION

| Component | SG-805, -807 | Options |
|--|--------------------------------|---------------------------|
| Casing, Bracket, Head, Separation Plate | Ductile Iron, ASTM A823 | Surface Hardening (Vitek) |
| Relief Valve Body | Ductile Iron, ASTM A823 | — |
| Relief Valve Poppet | Hardened Steel | — |
| Relief Valve Spring | Steel, ASTM A229 | — |
| Gears | Heat-Treated Powdered Metal | — |
| Shafts | Case-Hardened Steel, ASTM A322 | Nitralloy |
| Anti-Friction Needle Bearings | — | Bearing Steel |
| Sleeve Bearings | Carbon Graphite | Silicon Carbide |
| O-Rings | Buna-N | Neoprene, PTFE, FFKM, FKM |
| Canister | 316L Stainless Steel | Alloy C |
| Magnetic Coupling Bracket (not wetted) | ④ Cast Iron, ASTM A823 | — |
| Magnets (outer magnets nickel plated, inner magnets sealed in SS canister) | ① Neodymium Iron Boron | ② Samarium Cobalt |

① Maximum temperature 225°F / 107°C.

② Maximum temperature 500°F / 260°C.

③ Casing is Ductile Iron ASTM A536 Grade 65-45-12 (Vitek Hardened).

④ Magnetic coupling brackets are aluminum for 182/184TC frame motors.

MOTOR SPEED PRODUCT LINE: DUCTILE IRON SEALLESS MAG DRIVE EXTERNAL GEAR PUMPS

SG-805 Series™, SG-807 Series™

| | |
|---------|--------|
| Section | 1453 |
| Page | 1453.3 |
| Issue | L |

SPECIFICATIONS

| Model Number | ③ Port Size Inches | Nominal Capacity at 50 Hz Motor Speeds (1450 RPM) | | Nominal Capacity at 60 Hz Motor Speeds (1750 RPM) | | ④ Maximum Continuous Pressure | | Approximate Shipping Weight (Pump with Valve, but Less Power) | | ② Magnetic Coupling | | | ① Maximum Working Pressure | | Approximate Shipping Weight (Coupling Only, Ready to Accept but Less Power) | |
|--------------|-----------------------|---|------|---|------|-------------------------------|-----|---|------|---------------------|--------|-------------|----------------------------|-----|---|-----|
| | | GPM | m³/h | GPM | m³/h | PSIG | BAR | Lbs. | Kg. | Series | Torque | | PSIG | BAR | Lbs. | Kg. |
| | | | | | | | | | | | Ft-Lbs | Nm | | | | |
| SG-80518 | ½ | 0.57 | 0.13 | 0.7 | 0.16 | 500 | 34 | 6 | 2.7 | MD-A | 4 9 | 5.4 12.2 | 1000 | 69 | 31 | 14 |
| SG-80525 | ½ | 0.84 | 0.19 | 1 | 0.23 | 500 | 34 | 6 | 2.7 | | | | | | | |
| SG-80535 | ½ | 1.14 | 0.26 | 1.4 | 0.32 | 500 | 34 | 6 | 2.7 | | | | | | | |
| SG-80550 | ½ | 1.67 | 0.38 | 2 | 0.45 | 500 | 34 | 7 | 3.2 | | | | | | | |
| SG-80570 | ½ | 2.33 | 0.53 | 2.8 | 0.64 | 500 | 34 | 7 | 3.2 | | | | | | | |
| SG-80510 | ½ | 3.30 | 0.75 | 4 | 0.91 | 500 | 34 | 8 | 3.6 | | | | | | | |
| SG-80514 | ¾ | 4.62 | 1.05 | 5.6 | 1.27 | 500 | 34 | 9 | 4.1 | | | | | | | |
| SG-80519 | ¾ | 6.30 | 1.43 | 7.6 | 1.73 | 200 | 14 | 10 | 4.5 | | | | | | | |
| SG-80528 | ¾ | 9.29 | 2.11 | 11.2 | 2.54 | 100 | 7 | 11 | 5.0 | | | | | | | |
| SG-80741 | 1 | 3.30 | 0.75 | 4 | 0.91 | 500 | 34 | 15 | 6.8 | MD-A | 4 9 | 5.4 12.2 | 1000 | 69 | 31 | 14 |
| SG-80758 | 1 | 4.62 | 1.05 | 5.6 | 1.27 | 500 | 34 | 17 | 7.7 | | | | | | | |
| SG-80782 | 1 | 6.65 | 1.51 | 8 | 1.82 | 500 | 34 | 18 | 8.2 | | | | | | | |
| SG-80711 | 1 | 9.29 | 2.11 | 11.2 | 2.54 | 500 | 34 | 19 | 8.6 | | | | | | | |
| SG-80716 | 1 | 13 | 3.01 | 16 | 3.63 | 500 | 34 | 20 | 9.1 | | | | | | | |
| SG-80722 | 1½ x 1¼ | 18 | 4.14 | 22 | 5.00 | 500 | 34 | 41 | 18.6 | MD-B | 40 | 54.0 | 500 | 28 | 71 | 32 |
| SG-80732 | 1½ x 1¼ | 27 | 6.02 | 32 | 7.27 | 500 | 34 | 43 | 19.5 | | | | | | | |

NOTE: Maximum temperature (standard construction) 225°F, 107°C. Higher temperatures can be handled with Samarium Cobalt magnets and optional O-ring elastomers. For torque and temperature limits, refer to "Table 1" on page 1453.12, "Table 2" on page 1453.12 and "Table 3" on page 1453.12 .

- ① Optional high pressure canisters available. Consult factory.
- ② Refer to "Selecting the Correct Viking Mag Drive® Coupling" on page 1453.12
- ③ NPT standard. Consult factory for other port size or type options such as BSP, SAE O-Ring or other.
- ④ For inlet pressures over 300 PSI, consult the factory.

Authorized Distributor Viking Pump

PT ZI-TECHASIA
Address: Menara Jamsostek,
Menara Utara lantai 22, Jakarta Selatan
DKI Jakarta

Mobile/WA : (+62) 813-1891-9776
Office : (+62) 21 5296-2135
Email : ask@dosingpump.co.id

website : www.dosingpump.co.id

VIKING PUMP • A Unit of IDEX Corporation • Cedar Falls, IA ©2025

| | |
|---------|--------|
| Section | 1453 |
| Page | 1453.4 |
| Issue | L |

MOTOR SPEED PRODUCT LINE:

DUCTILE IRON SEALLESS MAG DRIVE EXTERNAL GEAR PUMPS

SG-805 Series™, SG-807 Series™

MOUNTING OPTIONS

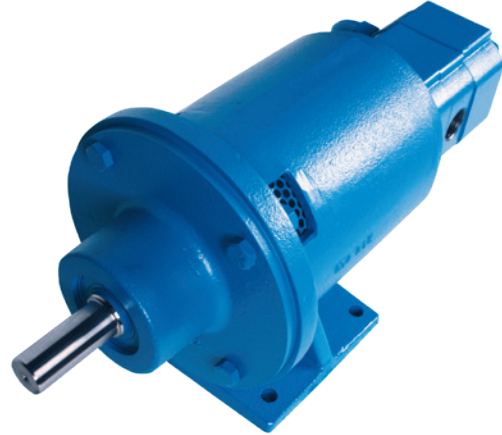


Motor Mounted Units (M Drive)

Pump and motor mounted to a flange mounting bracket with magnetic coupling.

This mounting arrangement eliminates the need for on-site coupling alignment that is normally required with a base mounted unit.

SG-805 Series™ & SG-807 Series™ pumps may be close coupled to NEMA-C faced motors and SG-810 & -814 to both NEMA-C and IEC B5 flanged motors to provide an easily-assembled, compact pumping unit. This mounting arrangement eliminates the need for on-site coupling alignment that is normally required for a base-mounted unit



Foot Bracket Mounted Pumps (B Drive)

Pump is mounted to a foot bracket.

SG-805 Series™ & SG-807 Series™ pumps are available with a bearing carrier mounted to the magnetic coupling to provide an external drive shaft for long-coupling to a reducer, gear motor or other drive. The 3.5" shaft height on MD-A couplings matches the shaft height on Viking "A" series reducers, as well as NEMA 56, 143 and 145 T motors. The 6.25" shaft height on MD-B couplings matches shaft height on 254/256 T motors.

Authorized Distributor Viking Pump

PT ZI-TECHASIA
Address: Menara Jamsostek,
Menara Utara lantai 22, Jakarta Selatan
DKI Jakarta

Mobile/WA : (+62) 813-1891-9776
Office : (+62) 21 5296-2135
Email : ask@dosingpump.co.id

website : www.dosingpump.co.id

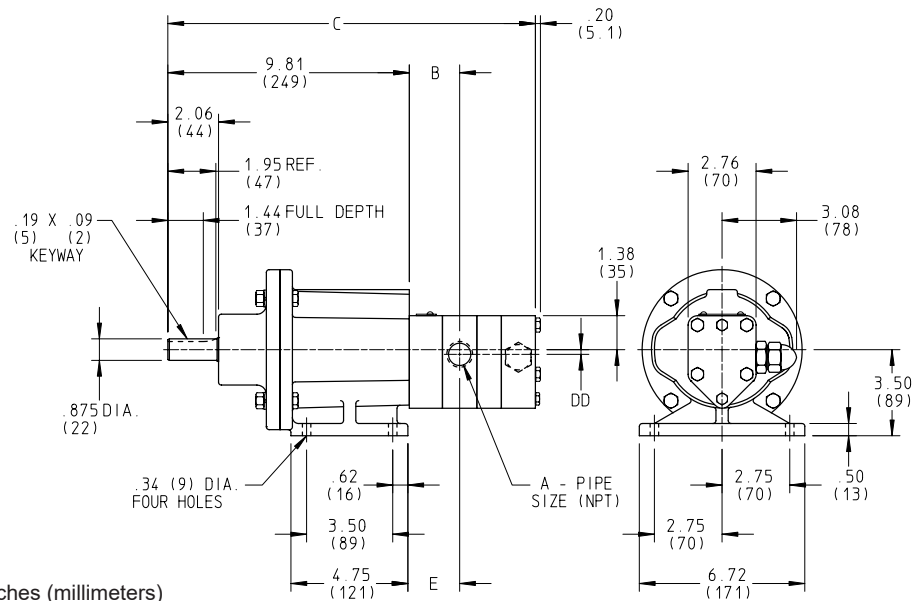
VIKING PUMP® • A Unit of IDEX Corporation • Cedar Falls, IA ©2025

MOTOR SPEED PRODUCT LINE:
DUCTILE IRON SEALLESS MAG DRIVE EXTERNAL GEAR PUMPS

SG-805 Series™, SG-807 Series™

| | |
|---------|--------|
| Section | 1453 |
| Page | 1453.5 |
| Issue | L |

DIMENSIONS – SG-805 SERIES™ – MD-A (B DRIVE – FOOTED BRACKET)



NOTE: Dimensions in inches (millimeters)

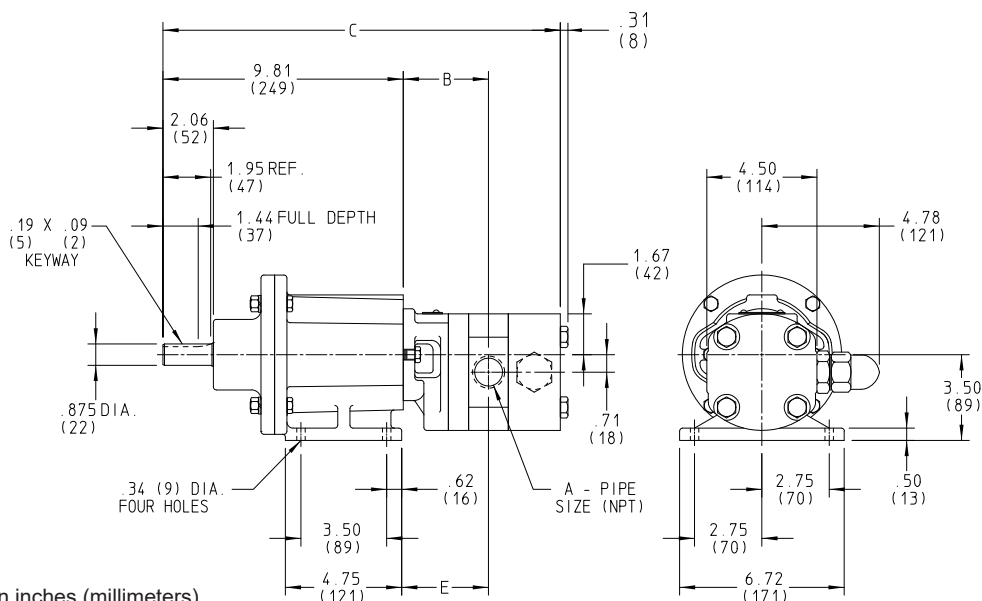
| Model Number | A (in) | | WITH R/V | | | LESS R/V | | | DD |
|--------------|--------|----|----------|-------|------|----------|-------|------|------|
| | | | B | C | E | B | C | E | |
| SG-80518MD-A | ½ | in | 2.02 | 13.71 | 2.08 | 2.21 | 12.71 | 2.27 | 0.31 |
| | | mm | 51 | 348 | 53 | 56 | 323 | 58 | 8 |
| SG-80525MD-A | ½ | in | 2.09 | 13.78 | 2.15 | 2.28 | 12.78 | 2.34 | 0.31 |
| | | mm | 53 | 350 | 55 | 58 | 325 | 59 | 8 |
| SG-80535MD-A | ½ | in | 2.19 | 13.88 | 2.25 | 2.38 | 12.88 | 2.44 | 0.31 |
| | | mm | 56 | 352 | 57 | 60 | 327 | 62 | 8 |
| SG-80550MD-A | ½ | in | 2.34 | 14.03 | 2.40 | 2.53 | 13.03 | 2.59 | 0.31 |
| | | mm | 59 | 356 | 61 | 64 | 331 | 66 | 8 |
| SG-80570MD-A | ½ | in | 2.54 | 14.23 | 2.60 | 2.73 | 13.23 | 2.79 | 0.31 |
| | | mm | 65 | 361 | 66 | 69 | 336 | 71 | 8 |
| SG-80510MD-A | ½ | in | 1.84 | 14.53 | 1.90 | 1.84 | 13.53 | 1.90 | 0.31 |
| | | mm | 47 | 369 | 48 | 47 | 344 | 48 | 8 |
| SG-80514MD-A | ¾ | in | 2.04 | 14.93 | 2.10 | 2.04 | 13.93 | 2.10 | 0.19 |
| | | mm | 52 | 379 | 53 | 52 | 354 | 53 | 5 |
| SG-80519MD-A | ¾ | in | 2.29 | 15.43 | 2.35 | 2.29 | 14.43 | 2.35 | 0.19 |
| | | mm | 58 | 392 | 60 | 58 | 367 | 60 | 5 |
| SG-80528MD-A | ¾ | in | 2.04 | 16.33 | 2.10 | 2.04 | 15.33 | 2.10 | 0.19 |
| | | mm | 52 | 415 | 53 | 52 | 389 | 53 | 5 |

These dimensions are average and not for construction purposes. Certified prints on request.

| | |
|---------|--------|
| Section | 1453 |
| Page | 1453.6 |
| Issue | L |

MOTOR SPEED PRODUCT LINE:
DUCTILE IRON SEALLESS MAG DRIVE EXTERNAL GEAR PUMPS
 SG-805 Series™, SG-807 Series™

DIMENSIONS – SG-807 SERIES™ – MD-A (B DRIVE – FOOTED BRACKET)



NOTE: Dimensions in inches (millimeters)

| Model Number | A (in) | | WITH R/V | | | LESS R/V | | |
|--------------|--------------|----|----------|-------|------|----------|-------|------|
| | | | B | C | E | B | C | E |
| SG-80741MD-A | 1 | in | 3.07 | 15.81 | 3.13 | 3.26 | 14.19 | 3.32 |
| | | mm | 78 | 402 | 80 | 83 | 360 | 84 |
| SG-80758MD-A | 1 | in | 3.24 | 15.98 | 3.30 | 3.43 | 14.36 | 3.49 |
| | | mm | 82 | 406 | 84 | 87 | 365 | 89 |
| SG-80782MD-A | 1 | in | 3.48 | 16.22 | 3.54 | 3.67 | 14.60 | 3.73 |
| | | mm | 88 | 412 | 90 | 93 | 371 | 95 |
| SG-80711MD-A | 1 | in | 3.81 | 16.55 | 3.87 | 4.00 | 14.93 | 4.06 |
| | | mm | 97 | 420 | 98 | 102 | 379 | 103 |
| SG-80716MD-A | 1 | in | 4.31 | 17.05 | 4.37 | 4.50 | 15.43 | 4.56 |
| | | mm | 109 | 433 | 111 | 114 | 392 | 116 |
| SG-80722MD-A | 1½ S 1¼ D | in | 4.25 | 20.20 | 4.31 | 4.25 | 18.58 | 4.31 |
| | | mm | 108 | 513 | 109 | 108 | 472 | 109 |
| SG-80732MD-A | 1½ S 1¼ D | in | 4.28 | 20.72 | 4.34 | 4.27 | 19.10 | 4.33 |
| | | mm | 109 | 526 | 110 | 108 | 485 | 110 |

S = Suction Port
 D = Discharge Port

Authorized Distributor Viking Pump

PT ZI-TECHASIA
 Address: Menara Jamsostek,
 Menara Utara lantai 22, Jakarta Selatan
 DKI Jakarta

Mobile/WA : (+62) 813-1891-9776
 Office : (+62) 21 5296-2135
 Email : ask@dosingpump.co.id

These dimensions are average and not for construction purposes. Certified prints on request.

website : www.dosingpump.co.id

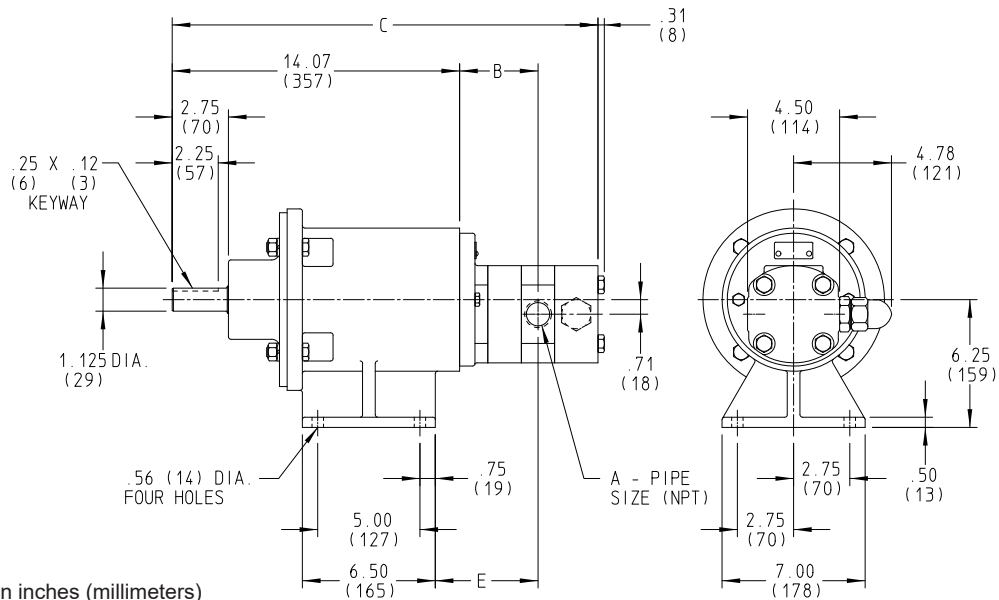
VIKING PUMP® • A Unit of IDEX Corporation • Cedar Falls, IA ©2025

MOTOR SPEED PRODUCT LINE: DUCTILE IRON SEALLESS MAG DRIVE EXTERNAL GEAR PUMPS

SG-805 Series™, SG-807 Series™

| | |
|---------|--------|
| Section | 1453 |
| Page | 1453.7 |
| Issue | L |

DIMENSIONS – SG-807 SERIES™ – MD-B (B DRIVE – FOOTED BRACKET)



NOTE: Dimensions in inches (millimeters)

| Model Number | A (in) | | WITH R/V | | | LESS R/V | | |
|--------------|--------------|----|----------|-------|------|----------|-------|------|
| | | | B | C | E | B | C | E |
| SG-80741MD-B | 1 | in | 3.07 | 20.07 | 3.13 | 3.26 | 18.45 | 3.32 |
| | | mm | 78 | 510 | 80 | 83 | 469 | 84 |
| SG-80758MD-B | 1 | in | 3.24 | 20.24 | 3.30 | 3.43 | 18.61 | 3.49 |
| | | mm | 82 | 514 | 84 | 87 | 473 | 89 |
| SG-80782MD-B | 1 | in | 3.48 | 20.48 | 3.54 | 3.67 | 18.86 | 3.73 |
| | | mm | 88 | 520 | 90 | 93 | 479 | 95 |
| SG-80711MD-B | 1 | in | 3.81 | 20.81 | 3.87 | 4.00 | 19.19 | 4.06 |
| | | mm | 97 | 529 | 98 | 102 | 487 | 103 |
| SG-80716MD-B | 1 | in | 4.31 | 21.30 | 4.37 | 4.50 | 19.68 | 4.56 |
| | | mm | 109 | 541 | 111 | 114 | 500 | 116 |
| SG-80722MD-B | 1½ S 1¼ D | in | 4.25 | 24.46 | 4.31 | 4.25 | 22.83 | 4.31 |
| | | mm | 108 | 621 | 109 | 108 | 580 | 109 |
| SG-80732MD-B | 1½ S 1¼ D | in | 4.28 | 24.98 | 4.34 | 4.27 | 23.36 | 4.33 |
| | | mm | 109 | 634 | 110 | 108 | 593 | 110 |

S = Suction Port
D = Discharge Port

Authorized Distributor Viking Pump

PT ZI-TECHASIA
Address: Menara Jamsostek,
Menara Utara lantai 22, Jakarta Selatan
DKI Jakarta

Mobile/WA : (+62) 813-1891-9776
Office : (+62) 21 5296-2135
Email : ask@dosingpump.co.id

website : www.dosingpump.co.id

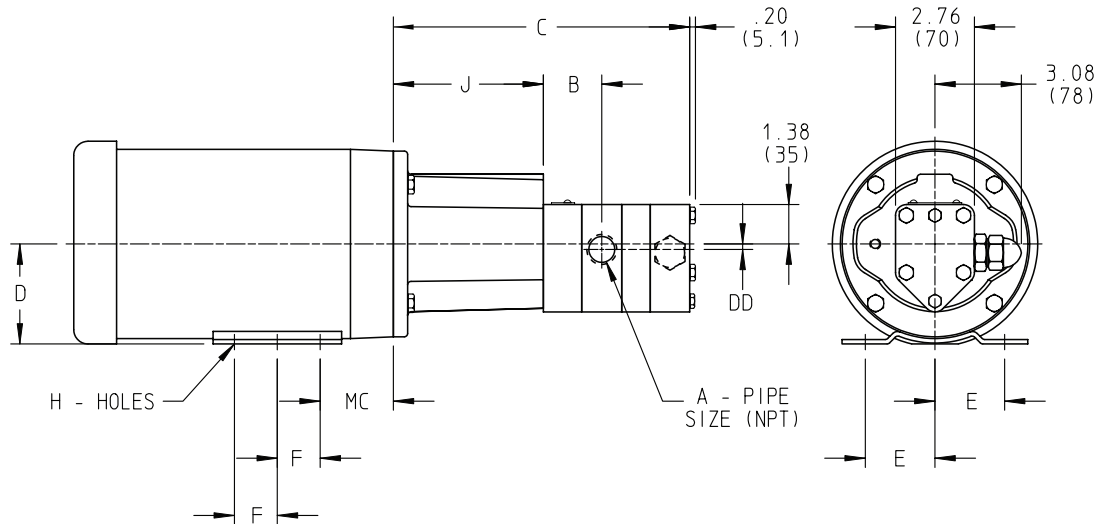
These dimensions are average and not for construction purposes. Certified prints on request.

VIKING PUMP® • A Unit of IDEX Corporation • Cedar Falls, IA ©2025

| | |
|---------|--------|
| Section | 1453 |
| Page | 1453.8 |
| Issue | L |

MOTOR SPEED PRODUCT LINE:
DUCTILE IRON SEALLESS MAG DRIVE EXTERNAL GEAR PUMPS
 SG-805 Series™, SG-807 Series™

DIMENSIONS – SG-805 SERIES™ –
MD-A NEMA C (M DRIVE – FOOTLESS BRACKET)



NOTE: Dimensions in inches (millimeters)
NOTE: Footless bracket requires footed motor.

| Model Number | A (in) | WITH R/V | | LESS R/V | | DD | |
|--------------|--------|----------|------|----------|------|-------|------|
| | | B | C | B | C | | |
| SG-80518MD-A | ½ | in | 2.02 | 9.15 | 2.21 | 8.15 | 0.31 |
| | | mm | 51 | 232 | 56 | 207 | 8 |
| SG-80525MD-A | ½ | in | 2.09 | 9.22 | 2.28 | 8.22 | 0.31 |
| | | mm | 53 | 234 | 58 | 209 | 8 |
| SG-80535MD-A | ½ | in | 2.19 | 9.32 | 2.38 | 8.32 | 0.31 |
| | | mm | 56 | 237 | 60 | 211 | 8 |
| SG-80550MD-A | ½ | in | 2.34 | 9.47 | 2.53 | 8.47 | 0.31 |
| | | mm | 59 | 241 | 64 | 215 | 8 |
| SG-80570MD-A | ½ | in | 2.54 | 9.67 | 2.73 | 8.67 | 0.31 |
| | | mm | 65 | 246 | 69 | 220 | 8 |
| SG-80510MD-A | ½ | in | 1.84 | 9.97 | 1.84 | 8.97 | 0.31 |
| | | mm | 47 | 253 | 47 | 228 | 8 |
| SG-80514MD-A | ¾ | in | 2.04 | 10.37 | 2.04 | 9.37 | 0.19 |
| | | mm | 52 | 263 | 52 | 238 | 5 |
| SG-80519MD-A | ¾ | in | 2.29 | 10.87 | 2.29 | 9.87 | 0.19 |
| | | mm | 58 | 276 | 58 | 251 | 5 |
| SG-80528MD-A | ¾ | in | 2.04 | 11.77 | 2.04 | 10.77 | 0.19 |
| | | mm | 52 | 299 | 52 | 274 | 5 |

| Motor Frame Size | D | E | F | H | J (in) | MC |
|------------------|------|------|------|-----------|--------|------|
| 56C | 3.50 | 2.44 | 1.50 | 0.34 SLOT | 5.25 | 2.56 |
| | 89 | 62 | 38 | 9 | | 65 |
| 143TC | 3.50 | 2.75 | 2.00 | 0.34 | 5.25 | 2.88 |
| | 89 | 70 | 51 | 9 | | 73 |
| 145TC | 3.50 | 2.75 | 2.50 | 0.34 | 5.25 | 2.88 |
| | 89 | 70 | 64 | 9 | | 73 |
| 182TC | 4.50 | 3.75 | 2.25 | 0.41 | 5.69 | 3.62 |
| | 114 | 95 | 57 | 10 | | 92 |
| 184TC | 4.50 | 3.75 | 2.75 | 0.41 | 5.69 | 3.62 |
| | 114 | 95 | 70 | 10 | | 92 |
| 213TC* | 5.25 | 4.25 | 2.75 | 0.41 | 5.69 | 4.50 |
| | 133 | 108 | 70 | 10 | | 114 |

* Motor shaft must be modified to resemble 182TC-184TC shaft length, diameter and key.

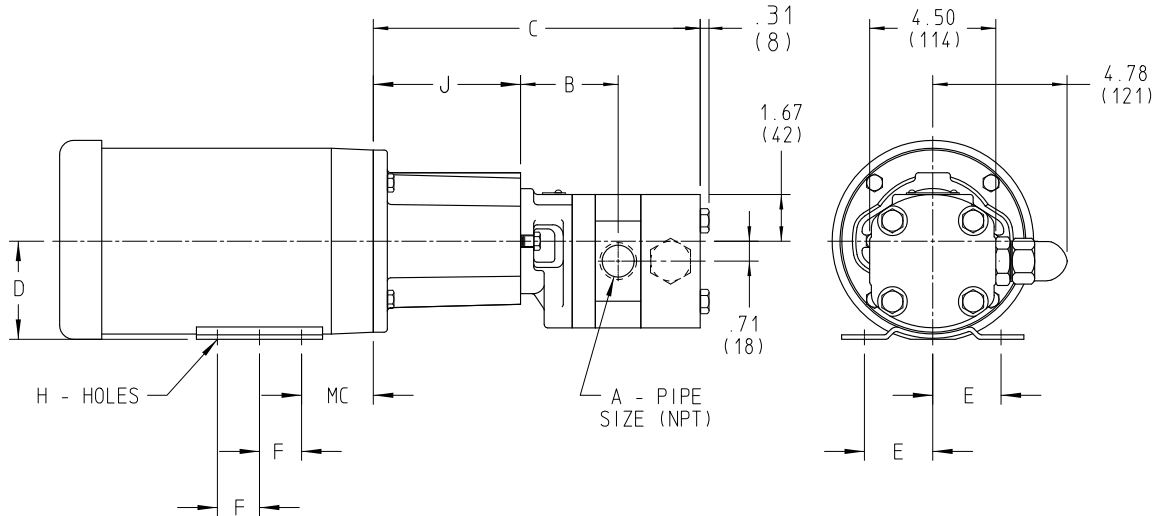
These dimensions are average and not for construction purposes. Certified prints on request.

MOTOR SPEED PRODUCT LINE: DUCTILE IRON SEALLESS MAG DRIVE EXTERNAL GEAR PUMPS

SG-805 Series™, SG-807 Series™

| | |
|---------|--------|
| Section | 1453 |
| Page | 1453.9 |
| Issue | L |

DIMENSIONS – SG-807 SERIES™ – MD-A NEMA C (M DRIVE – FOOTLESS BRACKET)



NOTE: Dimensions in inches (millimeters)

NOTE: Footless bracket requires footed motor.

| Model Number | A (in) | WITH R/V | | LESS R/V | | |
|--------------|--------------|----------|------|----------|------|-------|
| | | B | C | B | C | |
| SG-80741MD-A | 1 | in | 3.07 | 11.25 | 3.26 | 9.63 |
| | | mm | 78 | 286 | 83 | 245 |
| SG-80758MD-A | 1 | in | 3.24 | 11.42 | 3.43 | 9.80 |
| | | mm | 82 | 290 | 87 | 249 |
| SG-80782MD-A | 1 | in | 3.48 | 11.66 | 3.67 | 10.04 |
| | | mm | 88 | 296 | 93 | 255 |
| SG-80711MD-A | 1 | in | 3.81 | 11.99 | 4.00 | 10.37 |
| | | mm | 97 | 305 | 102 | 263 |
| SG-80716MD-A | 1 | in | 4.31 | 12.49 | 4.50 | 10.87 |
| | | mm | 109 | 317 | 114 | 276 |
| SG-80722MD-A | 1½ S 1¼ D | in | 4.25 | 15.64 | 4.25 | 15.02 |
| | | mm | 108 | 397 | 108 | 356 |
| SG-80732MD-A | 1½ S 1¼ D | in | 4.75 | 16.64 | 4.75 | 15.02 |
| | | mm | 121 | 423 | 121 | 382 |

| Motor Frame Size | D | E | F | H | J (in) | MC |
|------------------|------|------|------|--------------|--------|------|
| 56C | 3.50 | 2.44 | 1.50 | 0.34 SLOT | 5.25 | 2.56 |
| | 89 | 62 | 38 | 9 | | 65 |
| 143TC | 3.50 | 2.75 | 2.00 | 0.34 | 5.25 | 2.88 |
| | 89 | 70 | 51 | 9 | | 73 |
| 145TC | 3.50 | 2.75 | 2.50 | 0.34 | 5.25 | 2.88 |
| | 89 | 70 | 64 | 9 | | 73 |
| 182TC | 4.50 | 3.75 | 2.25 | 0.41 | 5.69 | 3.62 |
| | 114 | 95 | 57 | 10 | | 92 |
| 184TC | 4.50 | 3.75 | 2.75 | 0.41 | 5.69 | 3.62 |
| | 114 | 85 | 70 | 10 | | 92 |
| 213TC* | 5.25 | 4.25 | 2.75 | 0.41 | 5.69 | 4.50 |
| | 133 | 108 | 70 | 10 | | 114 |

* Motor shaft must be modified to resemble 182TC-184TC shaft length, diameter and key.

Authorized Distributor Viking Pump

PT ZI-TECHASIA
Address: Menara Jamsostek,
Menara Utara lantai 22, Jakarta Selatan
DKI Jakarta

Mobile/WA : (+62) 813-1891-9776
Office : (+62) 21 5296-2135
Email : ask@dosingpump.co.id

website : www.dosingpump.co.id

These dimensions are average and not for construction purposes. Certified prints on request.

VIKING PUMP® • A Unit of IDEX Corporation • Cedar Falls, IA ©2025

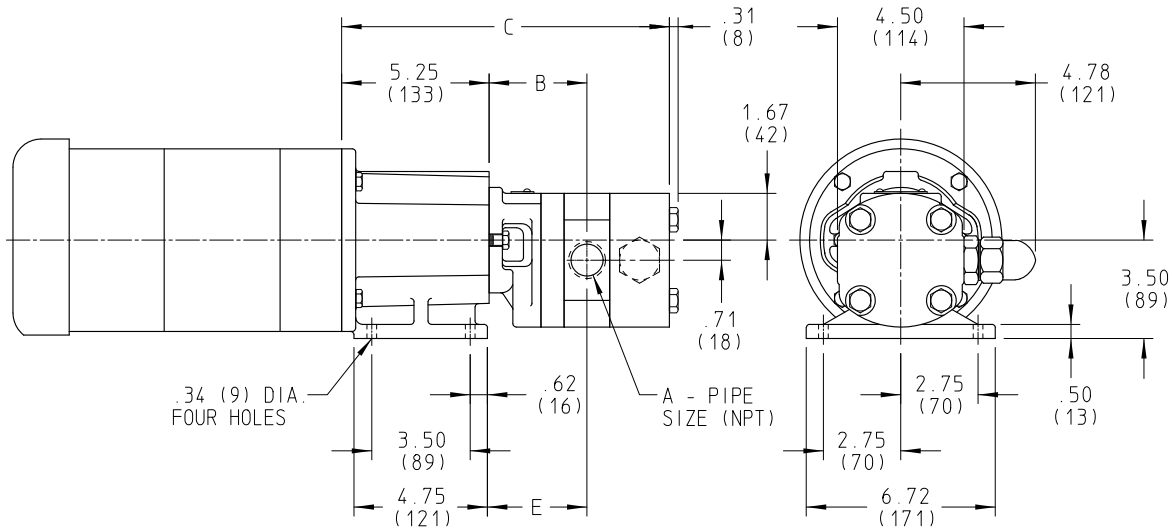
| | |
|---------|---------|
| Section | 1453 |
| Page | 1453.10 |
| Issue | L |

MOTOR SPEED PRODUCT LINE:

DUCTILE IRON SEALLESS MAG DRIVE EXTERNAL GEAR PUMPS

SG-805 Series™, SG-807 Series™

DIMENSIONS – SG-807 SERIES™ – MD-A NEMA C (M DRIVE – FOOTED BRACKET)



NOTE: Dimensions in inches (millimeters)

NOTE: Footed bracket requires footless motor.

| Model Number | A (in) | | WITH R/V | | | LESS R/V | | | Motor Frame |
|--------------|--------------|----|----------|-------|------|----------|-------|------|-----------------------|
| | | | B | C | E | B | C | E | |
| SG-80741MD-A | 1 | in | 3.07 | 11.25 | 3.13 | 3.26 | 9.63 | 3.32 | 56C 143TC 145TC |
| | | mm | 78 | 286 | 80 | 83 | 245 | 84 | |
| SG-80758MD-A | 1 | in | 3.24 | 11.42 | 3.30 | 3.43 | 9.80 | 3.49 | |
| | | mm | 82 | 290 | 84 | 87 | 249 | 89 | |
| SG-80782MD-A | 1 | in | 3.48 | 11.66 | 3.54 | 3.67 | 10.04 | 3.73 | |
| | | mm | 88 | 269 | 90 | 93 | 255 | 95 | |
| SG-80711MD-A | 1 | in | 3.81 | 11.99 | 3.87 | 4.00 | 10.37 | 4.06 | |
| | | mm | 97 | 305 | 98 | 102 | 263 | 103 | |
| SG-80716MD-A | 1 | in | 4.31 | 12.49 | 4.37 | 4.50 | 10.87 | 4.56 | |
| | | mm | 109 | 317 | 111 | 114 | 276 | 116 | |
| SG-80722MD-A | 1½ S 1¼ D | in | 4.25 | 15.64 | 4.31 | 4.25 | 14.02 | 4.31 | |
| | | mm | 108 | 397 | 109 | 108 | 356 | 109 | |
| SG-80732MD-A | 1½ S 1¼ D | in | 4.75 | 16.64 | 4.81 | 4.75 | 15.02 | 4.81 | |
| | | mm | 121 | 423 | 122 | 121 | 382 | 122 | |

S = Suction Port

D = Discharge Port

Footed bracket is only available for up to NEMA 145TC frame motors (4.5" rabbet) -
180TC and 210TC motor frames with 8.5" rabbet are only available with footless bracket.

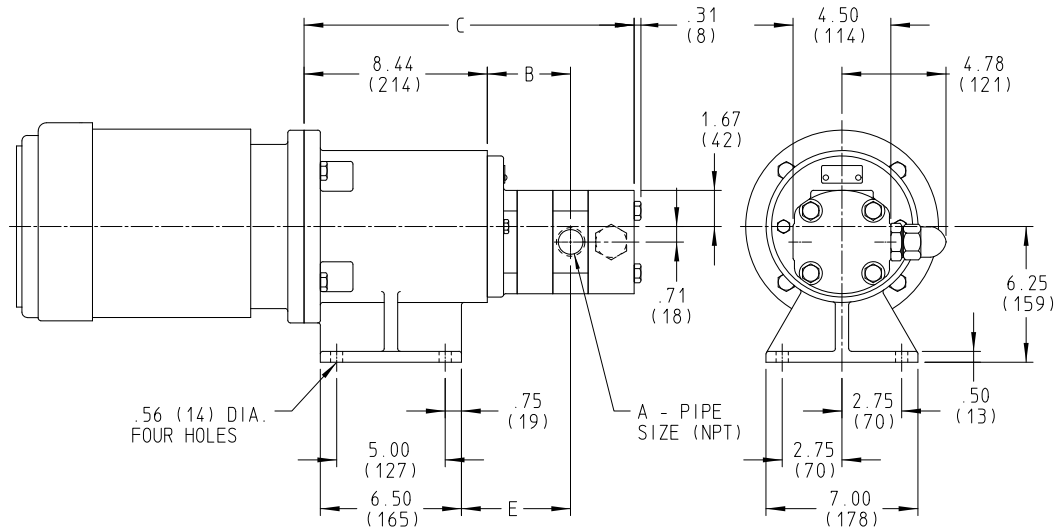
These dimensions are average and not for construction purposes. Certified prints on request.

MOTOR SPEED PRODUCT LINE: DUCTILE IRON SEALLESS MAG DRIVE EXTERNAL GEAR PUMPS

SG-805 Series™, SG-807 Series™

| | |
|---------|---------|
| Section | 1453 |
| Page | 1453.11 |
| Issue | L |

DIMENSIONS – SG-807 SERIES™ – MD-B NEMA C (M DRIVE – FOOTED BRACKET)



NOTE: Dimensions in inches (millimeters)

NOTE: Footed bracket requires footless motor.

| Model Number | A (in) | | WITH R/V | | | LESS R/V | | | DD |
|--------------|--------------|----|----------|-------|------|----------|-------|------|---|
| | | | B | C | E | B | C | E | |
| SG-80741MD-B | 1 | in | 2.60 | 13.97 | 3.79 | 2.80 | 12.35 | 3.98 | 182TC/184TC 213TC/215TC 254TC/256TC ① |
| | | mm | 66 | 355 | 96 | 71 | 314 | 101 | |
| SG-80758MD-B | 1 | in | 2.77 | 14.14 | 3.96 | 2.97 | 12.52 | 4.15 | |
| | | mm | 70 | 359 | 101 | 75 | 318 | 105 | |
| SG-80782MD-B | 1 | in | 3.01 | 14.38 | 4.20 | 3.21 | 12.76 | 4.39 | |
| | | mm | 76 | 365 | 107 | 82 | 324 | 112 | |
| SG-80711MD-B | 1 | in | 3.34 | 14.17 | 4.53 | 3.54 | 13.09 | 4.72 | |
| | | mm | 85 | 374 | 115 | 90 | 332 | 120 | |
| SG-80716MD-B | 1 | in | 3.84 | 15.20 | 5.03 | 4.04 | 13.59 | 5.22 | |
| | | mm | 98 | 386 | 128 | 103 | 345 | 133 | |
| SG-80722MD-B | 1½ S 1¼ D | in | 3.78 | 18.35 | 4.97 | 3.78 | 16.73 | 4.97 | |
| | | mm | 96 | 466 | 126 | 96 | 425 | 126 | |
| SG-80732MD-B | 1½ S 1¼ D | in | 4.28 | 19.35 | 5.47 | 4.28 | 17.73 | 5.47 | |
| | | mm | 109 | 491 | 139 | 109 | 450 | 139 | |

S = Suction Port

D = Discharge Port

Coupling will accept NEMA motor frames 182TC-256TC.

① NEMA 254TC-256TC will require shaft modification reducing shaft extension by 5/8".

Authorized Distributor Viking Pump

PT ZI-TECHASIA
Address: Menara Jamsostek,
Menara Utara lantai 22, Jakarta Selatan
DKI Jakarta

Mobile/WA : (+62) 813-1891-9776
Office : (+62) 21 5296-2135
Email : ask@dosingpump.co.id

website : www.dosingpump.co.id

These dimensions are average and not for construction purposes. Certified prints on request.

VIKING PUMP • A Unit of IDEX Corporation • Cedar Falls, IA ©2025

| | |
|---------|---------|
| Section | 1453 |
| Page | 1453.12 |
| Issue | L |

MOTOR SPEED PRODUCT LINE: DUCTILE IRON SEALLESS MAG DRIVE EXTERNAL GEAR PUMPS

SG-805 Series™, SG-807 Series™

NPSH REQUIRED

Printed performance curves are not available.

Performance curves can be electronically generated with the Viking Pump Curve Generator on vikingpump.com.

NPSH_R data is not available on the curve generator.

SELECTING THE CORRECT VIKING MAG DRIVE® COUPLING

1. Find pump HP and speed from the performance curves, which can be electronically generated with the Viking Pump Curve Generator, located on www.vikingpump.com.

2. Calculate the application torque (T), using this formula:

$$T \text{ (FT-LB)} = \frac{\text{HP}}{\text{SPEED}} \times 5252$$

3. Select the temperature correction factor (TCF) from Table 1 or Table 2.

| STANDARD NEODYMIUM MAGNETS (For Application Temperatures Below 225°F.) | | | | | | | |
|---|-----|-----|-----|-----|-----|-----|-----|
| Application Temp. (°F) | AMB | 100 | 125 | 150 | 175 | 200 | 225 |
| Application Temp. (°C) | 20 | 38 | 52 | 66 | 79 | 93 | 107 |
| TCF | 1.0 | .94 | .88 | .82 | .76 | .70 | .64 |

Table 1: Temperature Correction Factors

| OPTIONAL SAMARIUM COBALT MAGNETS (For Application Temperatures Above 225°F.) | | | | | |
|---|-----|-----|-----|-----|-----|
| Application Temp. (°F) | 175 | 200 | 300 | 400 | 500 |
| Application Temp. (°C) | 79 | 93 | 149 | 204 | 260 |
| TCF | .74 | .73 | .69 | .63 | .59 |

Table 2: Temperature Correction Factors

4. Divide calculated application torque by TCF to get adjusted application torque.

5. Select coupling with rating equal to or greater than “adjusted application torque” (AAT) from Table 3. Viking couplings have a built-in service factor, so if you have calculated the AAT correctly, you can be comfortable with a coupling that is equal to your calculated torque.

| MAGNETIC COUPLING TORQUE RATING TABLE | | |
|---------------------------------------|-----------------|------|
| Coupling Size | Torque (FT-LBS) | Nm |
| MD-A4 | 4 | 5.4 |
| MD-A9 | 9 | 12.2 |
| MD-B40 | 40 | 54.2 |

Table 3

EXAMPLE

1. An application calls for pumping 1 GPM of 100 SSU (22 cSt) liquid at 400 PSI (27 Bar), at 100°F (38C), with a 1750 RPM motor. From the pump selector, an SG-80525 is selected, providing .95 GPM (3.6 LPM) at 1750 RPM, with .35 BHP (.26 kW).

2. Calculate torque (T).

$$\begin{aligned} \text{TORQUE (T)} &= \frac{.35}{1750} \times 5252 \\ &= 1.05 \text{ FT-LB} \end{aligned}$$

3. From the temperature correction factor table, the correction factor (TCF) = .94.

4. Calculate adjusted application torque.

$$\begin{aligned} \text{ADJUSTED APPLICATION TORQUE} &= \frac{1.05}{.94} \\ &= 1.12 \text{ FT-LB} \end{aligned}$$

5. Select coupling.

THE NEODYMIUM MD-A4 (4 FT-LB RATING >1.12 FT-LB AAT) COUPLING IS THE PROPER SELECTION

Authorized Distributor Viking Pump

PT ZI-TECHASIA
Address: Menara Jamsostek,
Menara Utara lantai 22, Jakarta Selatan
DKI Jakarta

Mobile/WA : (+62) 813-1891-9776
Office : (+62) 21 5296-2135
Email : ask@dosingpump.co.id

website : www.dosingpump.co.id